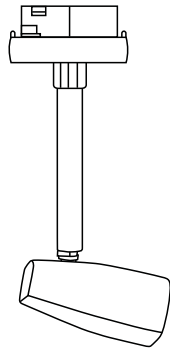




0,1,4,6,7,8,9,11,15,20,22,
23,26,27



Paulmann Licht GmbH
Quezinger Feld 2
31832 Springe/Germany
www.paulmann.com

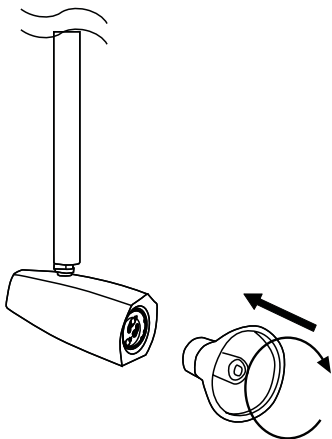


1x



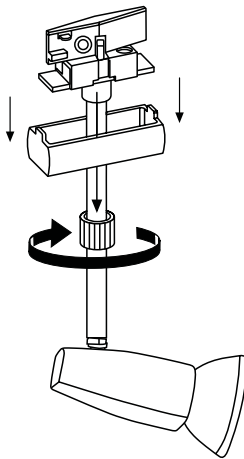
1x

A

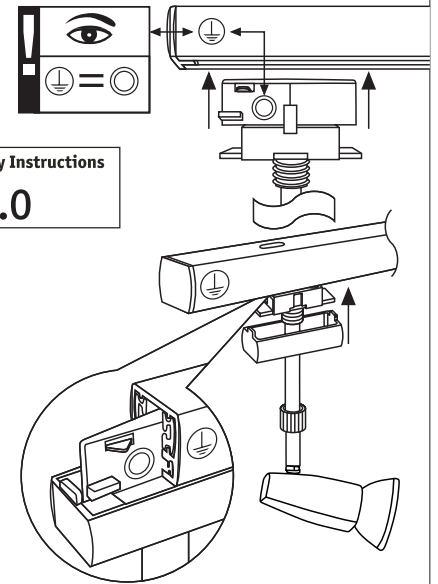


 **Safety Instructions**
Nr.7,8

B

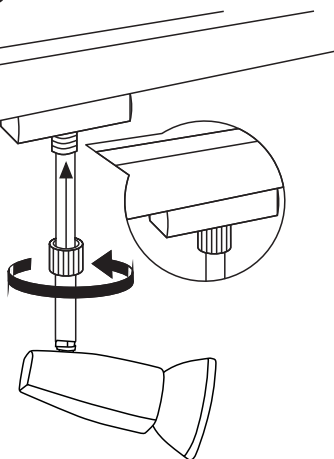


C



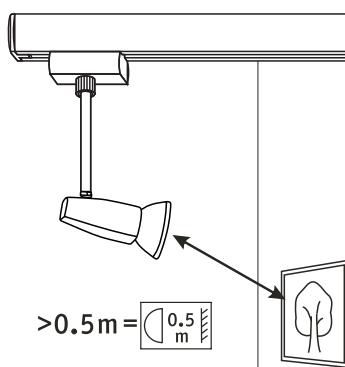
 **Safety Instructions**
Nr.0

D



 **Safety Instructions**
Nr.0.4

E



 **Safety Instructions**
Nr.9

B, C, D

A, E

 **Art.No.**
330028300
6.2W 51mm GU10