



Safety Instructions



0,1,2,4,6,7,8,9,11,
15,18,20,22,23,26,
27,28

Info Hotline



+49 (0) 5041 998 389

Mon. - Do. 7⁰⁰ - 20⁰⁰

Fr. 7⁰⁰ - 17⁰⁰

Paulmann Licht GmbH
31832 Springe / Germany
www.paulmann.com

Art.-Nr.:

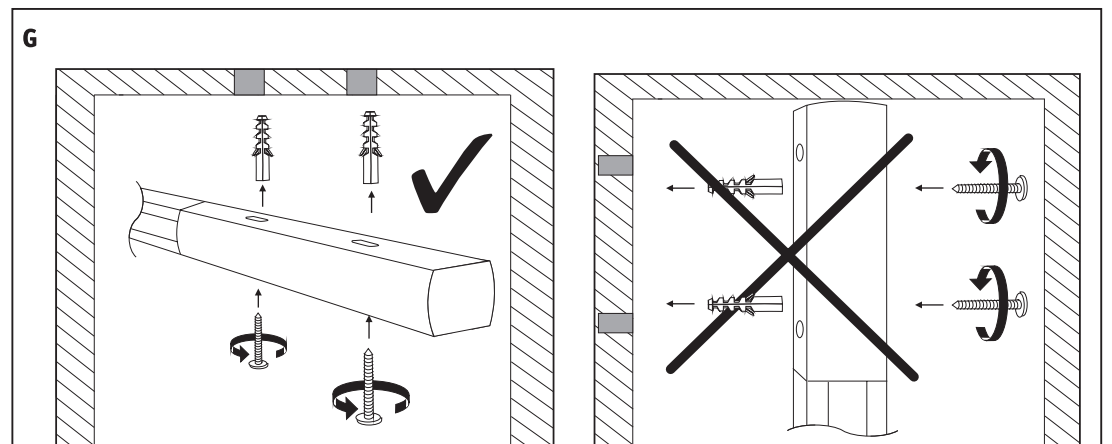
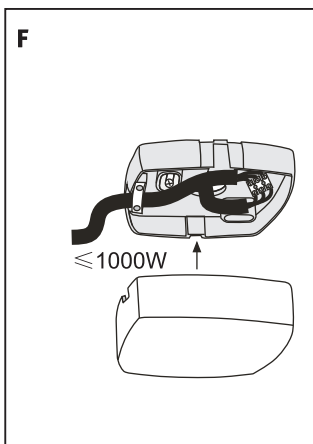
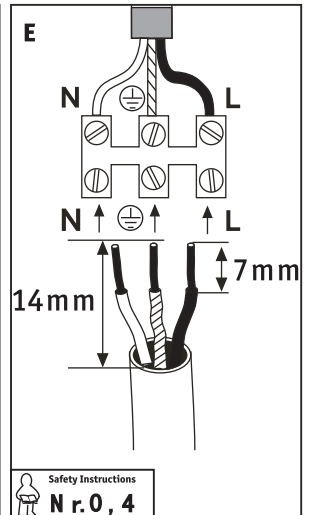
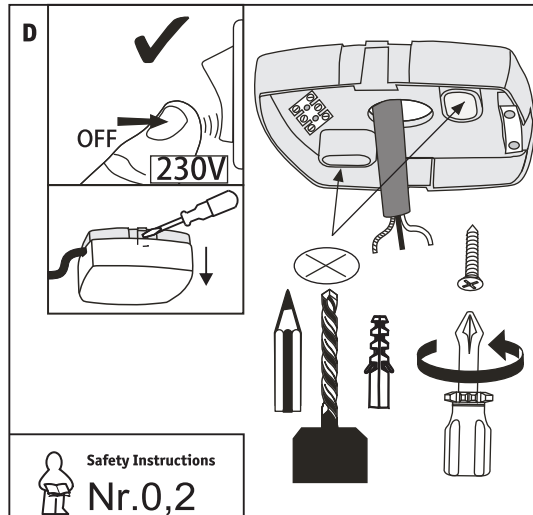
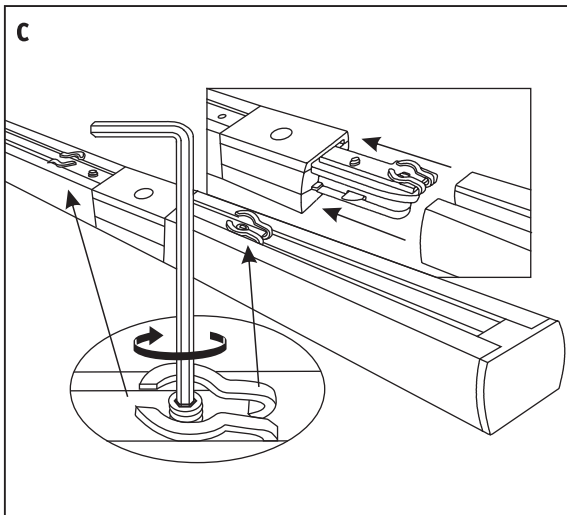
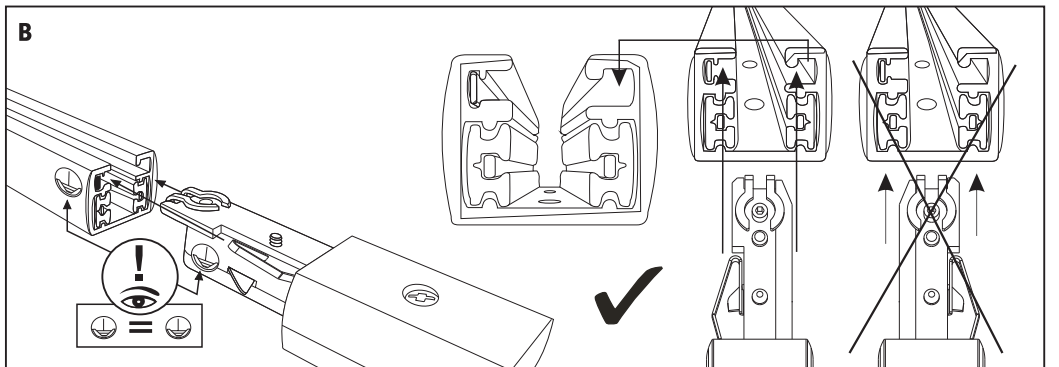
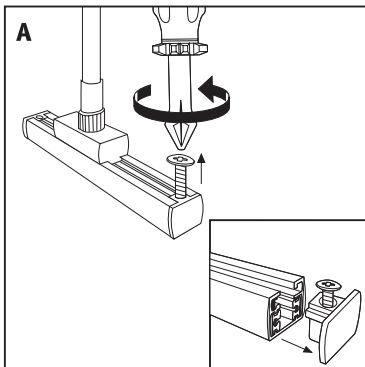
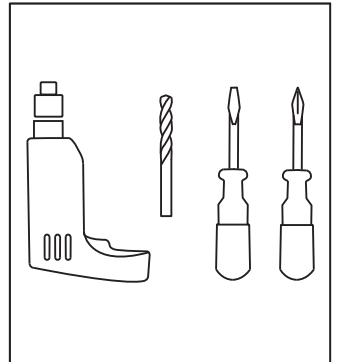
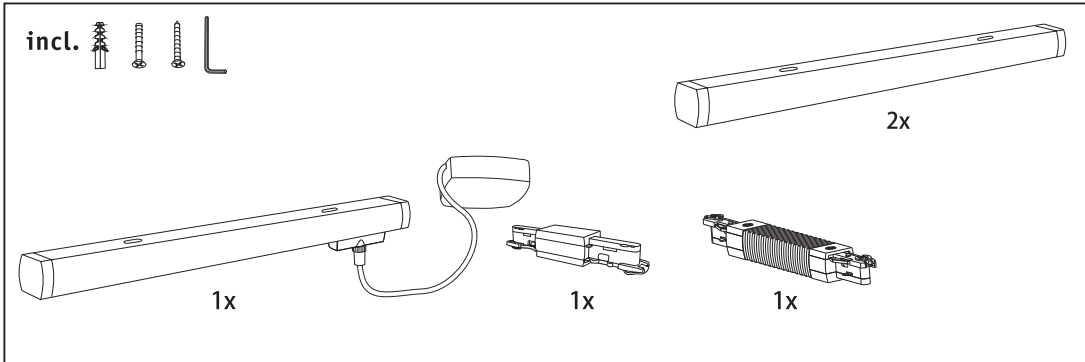
950.16

950.17

950.18

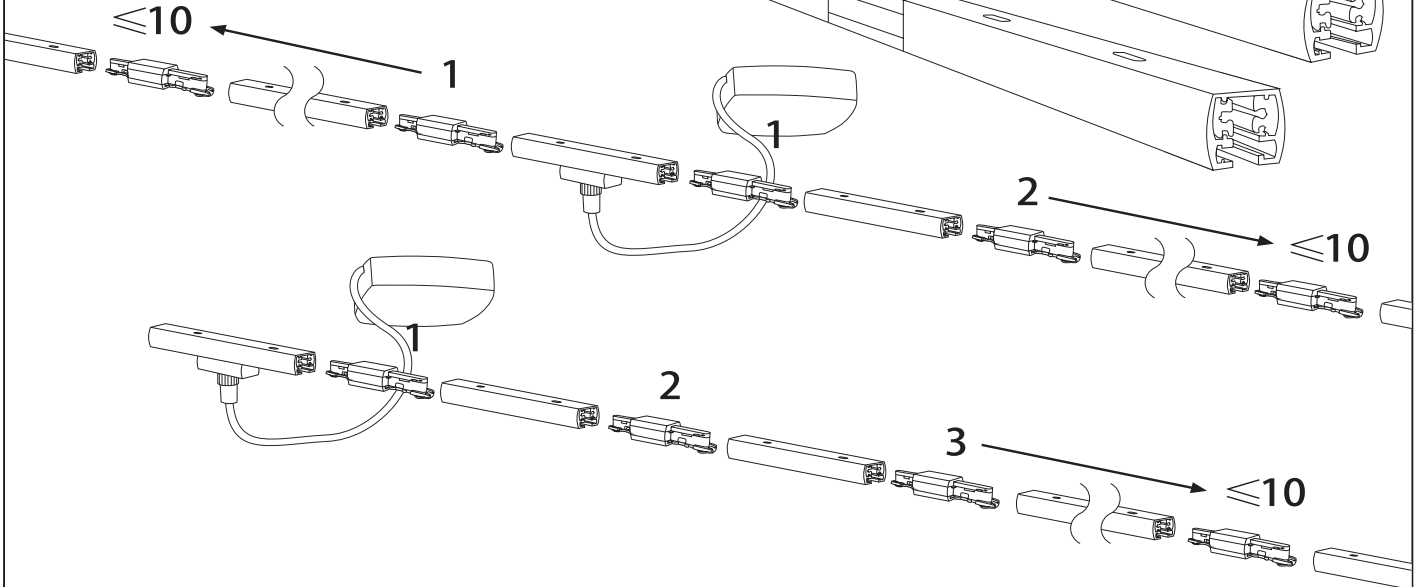
(+MA 173)

PBO 07/12



H

$\leq 1000W$



Safety Instructions

Nr.6,9,23

